



WING ES 1,2-6

WETAC ENERGY SOLUTIONS



WING BATTERIES - ES 1,2-6

Stationary, maintenance-free, sealed lead battery 6V – 1,2Ah

Designlife

6-9 Years

WING ES Batteries utilize superior cast grid plates with electrolyte absorbed in a glass fiber separator (AGM). The features of the ES range make them extremely versatile and adaptable for use in the fields of security lighting, UPS systems, IT / data centers, telecommunications applications etc.

Electrical specifications

| | |
|---|---------------|
| Nominal Voltage: | 12 V |
| Capacity 25°C to 1.8V/C (20 h): | 1,2 Ah |
| Capacity 25°C to 1.8V/C (10 h): | 1,1 Ah |
| Capacity 25°C to 1.8V/C (8 h): | 1,0 Ah |
| Capacity 25°C to 1.8V/C (3 h): | 0,9 Ah |
| Capacity 25°C to 1.8V/C (1 h): | 0,6 Ah |
| Self discharge @ 25°C per month: | ≈ 2,5 - 3% |
| Internal resistance fully charged: | ≈ 52 mΩ |
| Max. current (charging) @ 25°C: | 0,36 A |
| Max. current (discharging) @ 25°C (5 Sek.): | 18 A |
| Charge Voltage (Float) @ 25°C (-18mV/°C): | 2,27-2,29 V/C |
| Charge Voltage (Cyclic) @ 25°C (-30mV/°C): | 2,41-2,48 V/C |

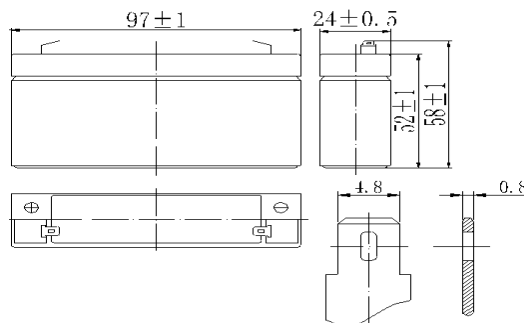
Other specifications

| | |
|---------------------------|--------------------------|
| Float Design Life @ 25°C: | 6-9 Years |
| Dimensions LxWxH (mm): | 97 x 24 x 52 |
| Total Height (mm): | 58 mm |
| Operating Temperature: | -20 to 50°C |
| Separator: | AGM |
| Grid alloy: | Calcium / Tin lead alloy |
| Case and lid material: | ABS |
| Electrolyte: | Sulphuric Acid |
| Terminal / Lenght: | .187 (F1) FastOn |
| Optional terminal types: | none |
| Torque setting: | N/A |
| Weight: | 0,28 kg (±5%) |

Design features

- Life time 6-9 Years
- High rate discharge optimised
- Advanced Lead-calcium cast grid design
- Enhanced AGM separators for improved electrolyte distribution
- Capacity range: 1,2 Ah to 65 Ah
- ES 12V Batteries with VdS standard: 1,2 | 2,3 | 3,2 | 7 | 12 | 18 | 26 | 40 | 65 Ah
- Designed to comply with standards: DIN EN 60896-2, DIN 43534, BS 6290, IEC 60896-21/22, IEC 61056
- Extremely low gassing
- Low self discharge
- FAA and IATA approved non-hazardous

Dimensions



Performance – Current (A) @ 25°C

| V/C | 5m | 10m | 15m | 20m | 25m | 30m | 35m | 40m | 45m | 50m | 55m | 60m | 90m | 2h | 3h | 4h | 5h | 6h | 7h | 8h | 9h | 10h | 12h | 20h |
|------|------|------|------|------|------|------|------|------|------|------|------|------|------|------|------|------|------|------|------|------|------|------|------|------|
| 1,80 | 3,99 | 2,38 | 1,91 | 1,53 | 1,21 | 1,11 | 0,99 | 0,89 | 0,80 | 0,75 | 0,70 | 0,65 | 0,48 | 0,42 | 0,30 | 0,24 | 0,20 | 0,17 | 0,15 | 0,13 | 0,12 | 0,11 | 0,09 | 0,06 |
| 1,75 | 4,28 | 2,51 | 2,04 | 1,61 | 1,29 | 1,16 | 1,03 | 0,93 | 0,83 | 0,78 | 0,72 | 0,67 | 0,50 | 0,43 | 0,31 | 0,25 | 0,21 | 0,17 | 0,15 | 0,13 | 0,12 | 0,11 | 0,10 | 0,06 |
| 1,70 | 4,46 | 2,63 | 2,10 | 1,68 | 1,34 | 1,19 | 1,08 | 0,95 | 0,85 | 0,80 | 0,74 | 0,68 | 0,51 | 0,44 | 0,31 | 0,25 | 0,21 | 0,17 | 0,15 | 0,13 | 0,12 | 0,11 | 0,10 | 0,06 |
| 1,65 | 4,68 | 2,74 | 2,18 | 1,73 | 1,40 | 1,23 | 1,10 | 0,99 | 0,88 | 0,82 | 0,76 | 0,70 | 0,53 | 0,44 | 0,32 | 0,25 | 0,21 | 0,18 | 0,15 | 0,14 | 0,12 | 0,11 | 0,10 | 0,06 |
| 1,60 | 4,78 | 2,83 | 2,24 | 1,78 | 1,43 | 1,25 | 1,11 | 1,00 | 0,89 | 0,83 | 0,77 | 0,71 | 0,53 | 0,44 | 0,32 | 0,25 | 0,21 | 0,18 | 0,16 | 0,14 | 0,12 | 0,11 | 0,10 | 0,06 |

Performance – Watt per Cell (W/C) @ 25°C

| V/C | 5m | 10m | 15m | 20m | 25m | 30m | 35m | 40m | 45m | 50m | 55m | 60m | 90m | 2h | 3h | 4h | 5h | 6h | 7h | 8h | 9h | 10h | 12h | 20h |
|------|------|------|------|------|------|------|------|------|------|------|------|------|------|------|------|------|------|------|------|------|------|------|------|------|
| 1,80 | 6,70 | 4,00 | 3,30 | 2,60 | 2,08 | 1,93 | 1,71 | 1,55 | 1,39 | 1,32 | 1,23 | 1,14 | 0,86 | 0,75 | 0,55 | 0,45 | 0,38 | 0,32 | 0,28 | 0,25 | 0,23 | 0,22 | 0,19 | 0,12 |
| 1,75 | 7,20 | 4,20 | 3,50 | 2,80 | 2,20 | 2,00 | 1,77 | 1,61 | 1,44 | 1,37 | 1,26 | 1,17 | 0,89 | 0,77 | 0,57 | 0,46 | 0,39 | 0,33 | 0,29 | 0,26 | 0,24 | 0,22 | 0,19 | 0,12 |
| 1,70 | 7,40 | 4,40 | 3,60 | 2,90 | 2,30 | 2,04 | 1,85 | 1,65 | 1,48 | 1,39 | 1,29 | 1,20 | 0,90 | 0,78 | 0,57 | 0,46 | 0,39 | 0,33 | 0,29 | 0,26 | 0,24 | 0,22 | 0,19 | 0,12 |
| 1,65 | 7,80 | 4,60 | 3,70 | 3,00 | 2,38 | 2,10 | 1,89 | 1,71 | 1,51 | 1,41 | 1,33 | 1,23 | 0,94 | 0,78 | 0,57 | 0,46 | 0,40 | 0,33 | 0,29 | 0,26 | 0,24 | 0,22 | 0,19 | 0,12 |
| 1,60 | 7,90 | 4,70 | 3,80 | 3,00 | 2,44 | 2,14 | 1,90 | 1,72 | 1,54 | 1,43 | 1,33 | 1,24 | 0,94 | 0,79 | 0,58 | 0,46 | 0,40 | 0,33 | 0,29 | 0,26 | 0,24 | 0,22 | 0,19 | 0,12 |



<http://www.wetac.com>

Wetac Stand-By Nederland B.V.
Galvanistraat 117
6716 AE Ede
The Netherlands
+31 318 696 190
orderdesk@wetac.nl

Wetac Stand-By Nederland B.V. OS.
Nadrazni 344/23
150 00 Praha 5
Czech Republic
+420 732 172800
Mail: standby@wetac.com

Wetac Hellas S.A.
7 Neratzoulas Street
13672 Acharnes - Attica
Greece
+30 210 2446 848
info@wetac.gr

Wetac UK Ltd.
Westgate House
44 Hale Road
WA 14 2EX Altrincham - Chesire
United Kingdom
+44 7788 711638
info@wetac.co.uk

BSOL Batteriesysteme GmbH
Bonner Strasse 365
40589 Düsseldorf (Benrath)
Germany
+49 211 387899-40
info@bsol.de

Wetac Swiss GmbH
Weilstrasse 79
4125 Riehen - Basel
Switzerland
+41 61 643 7066
info@wetac.ch

<https://www.facebook.com/wetacbatteries>

<http://linkedin.com/company/wetac-battery-company>

